

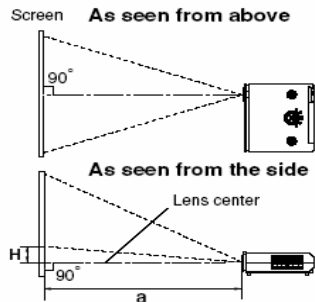
## Toshiba TDP-S81U Conference Room Projector Specifications

Model		TDP-S80U	TDP-S81U	TDP-SW80U
Display Technology	Shape No. of Pixels	0.55" DMD DLP™ 480,000 (800 x 600)		
Projection Lens	Standard Lens F/f (mm)	1.2x manual zoom/manual focus F = 2.6 - 2.81, f = 22.34 - 26.8mm		
Lamp Brightness Native Resolution		200W UHP (150W in low mode) 2000 ANSI lumens SVGA 800 x 600		
Wireless Technology		N/A	N/A	IEEE 802.11b/802.11g
Detachable Document Camera		N/A	Yes	N/A
Color Reproduction		Full 16.7 Million Colors		
Throw Ratio		2.0 - 2.4:1		
Contrast Ratio		2000:1		
Projection Screen Size (Diagonal)		24.6" - 246"		
Projection Distance		3.9 ft - 32.8 ft		
Throw Ratio		2.0 - 2.4:1		
Compatible Scanning Frequency	Horizontal (kHz) Vertical (Hz)	15 - 93kHz 50 - 85Hz		
Input Terminals	Composite Video S-Video Component Video Audio RGB Audio RGB Video Color Difference	1x RCA 1 x S-Video 1x D-sub 15 terminal (shared with RGB input) 2 x RCA for Video, 2 x RCA for S-Video 1 x stereo mini-jack 2x D-sub 15 terminals		
Input Signal Format	Video Color Difference RGB	NTSC, PAL, SECAM HDTV/DTV (480i/480p/576i/576p/1080i/720p), DVD VGA, SVGA (true), XGA (compressed), SXGA (compressed), UXGA (compressed), MAC		
Output Terminals	Audio RGB	1x stereo mini-jack (variable audio out) 1x D-sub 15 terminal		
Automatic Keystone Correction		Digital +/- 15°		
Noise Level		35dBA (32dBA in low mode)		
Internal Speaker		1.0W Monaural		
PC Interface		RS232C (mini DIN-8 pin)		
External Dimensions (WxDxH)		11.7" x 10.8" x 4.0"	15.1" x 10.8" x 4.0"	11.7" x 10.8" x 4.0"
Weight		6.2 lbs.	8.2 lbs.	6.4 lbs.
Power Consumption		270W		
Power Source		100 - 240V, 50/60Hz		
Replacement Lamp		TLP-LW5		
Box Contents		Remote Control with Batteries Power Cord RGB Cable CD-ROM User's Manual Soft Carrying Case Camera Extension Cable* (supplied only with the TDP-S81U model) Wireless PC LAN Card* (supplied only with TDP-SW80U model)		

Document Camera	TDP-S81U
Image pick-up device	1/4.2-inch Honeycomb CCD
Pixels	629,856 (648H x 486V x 2)
Camera Lens	F=2.8, f= 2.8mm, two-step focus for "Far" or "Near" viewing, camera gain

### Projection Distance and Size

Use the figures, tables, and formulas below to determine the projection size and projection distance. (Projection sizes are approximate values for full-size picture with no keystone adjustment.)



a is the distance (m) between the lens and the screen, and corresponds to a range of 1.20 m to 10.00 m. H is the height from the image bottom to the center of the lens.

$$a \text{ (min length)} = \text{projection size (inches)} \times 0.04064$$

$$a \text{ (max length)} = \text{projection size (inches)} \times 0.04878$$

projection size (inches)	projection distance a (m)		height (H) (cm)
	min length (zooming max)	max length (zooming min)	
24.6	—	1.20	12.8
40	1.62	1.95	20.2
60	2.44	2.93	30.0
80	3.25	3.90	40.2
100	4.06	4.88	50.3
150	6.10	7.32	75.4
200	8.13	9.76	100.6
246	10.00	—	123.8